

OIL PROTECTION CONTROLS

Type ONS

SAGHOMIYA

GENERAL DESCRIPTION

- Provides dependable protection against major break-down on pressure lubricated refrigeration compressors by guarding against low lubrication oil pressure.
- With manual reset.
- Built in time delay switch.
- Mounting bracket is supplied as standard.
- Ammonia models, drip proof models are available upon request.

CE mark applicable (available upon request)



TYPE NUMBER SELECTION (SPECIFICATIONS)

Unit: psi {kgf/cm²}

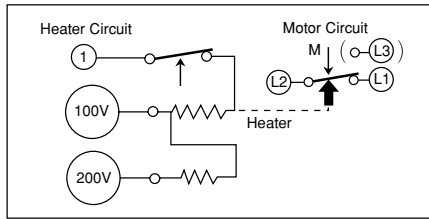
Catalog No.	Range		Differential	Timer Specification			Connection	Wt. (kg)
	Min.	Max.		Delay Time(sec.)	Timer Voltage	Timer Circuit		
ONS-C106XQ1	7 {0.5}	51 {3.5}	Approx. 7 fixed { Approx. 0.5 fixed }	45	100/200V. AC	Standard (SPST) without Alarm Contact	1/4" Flare Nut	0.55
ONS-C106XQ2				90				
ONS-C106XQ3				110				
ONS-C106XQ4				45				
ONS-C106XQ5				90	110/220V. AC			
ONS-C106XQ6				110				
ONS-C106XQ7				45	115/230V. AC			
ONS-C106XQ8				90				
ONS-C106XQ9				110				
ONS-C106XQ10				45	120/240V. AC			
ONS-C106XQ11				90				
ONS-C106XQ12				110				
ONS-C106XQ13				45	100/200V. AC			
ONS-C106XQ14				90				
ONS-C106XQ15				110				
ONS-C106XQ16				45	110/220V. AC			
ONS-C106XQ17				90				
ONS-C106XQ18				110				
ONS-C106XQ19				45	115/230V. AC			
ONS-C106XQ20				90				
ONS-C106XQ21				110				
ONS-C106XQ22				45	120/240V. AC			
ONS-C106XQ23				90				
ONS-C106XQ24				110				
ONS-C106XQ25				45	100/200V. AC			
ONS-C106XQ26				90				
ONS-C106XQ27				110				
ONS-C106XQ28				45	110/220V. AC			
ONS-C106XQ29				90				
ONS-C106XQ30				110				
ONS-C106XQ31				45	115/230V. AC			
ONS-C106XQ32				90				
ONS-C106XQ33				110				
ONS-C106XQ34				45	120/240V. AC			
ONS-C106XQ35				90				
ONS-C106XQ36				110				
ONS-C106XQ37				45	100/200V. AC			
ONS-C106XQ38				90				
ONS-C106XQ39				110				
ONS-C106XQ40				45	110/220V. AC			
ONS-C106XQ41				90				
ONS-C106XQ42				110				
ONS-C106XQ43				45	115/230V. AC			
ONS-C106XQ44				90				
ONS-C106XQ45				110				
ONS-C106XQ46				45	120/240V. AC			
ONS-C106XQ47				90				
ONS-C106XQ48				110				

- Max. Bellows Pressure: 240 psi {1.65 MPa}
- Limit of Pressure Diff. $H_p \geq L_p$: 220 psi {1.5 MPa}, H_p represents oil pump discharge pressure and L_p crank case pressure.
- Drip Proof Construction type is available upon request. Please, add "W" into the catalog number on ordering; for example, ONS-C106XWQ30.
- Ammonia Application type ONS-C106XN is also available upon request (Differential to be 9 psi {0.06 MPa} fixed).

ELECTRICAL RATINGS

Rated Voltage. (V)		Power Factor (cos ϕ)	125/250 V. AC
Rated Amps. (A)			
Non-Inductive Current		1	3.5
Inductive Current	Full Load	0.75	3
	Locked Rotor	0.45	10

CONTACT FUNCTIONS

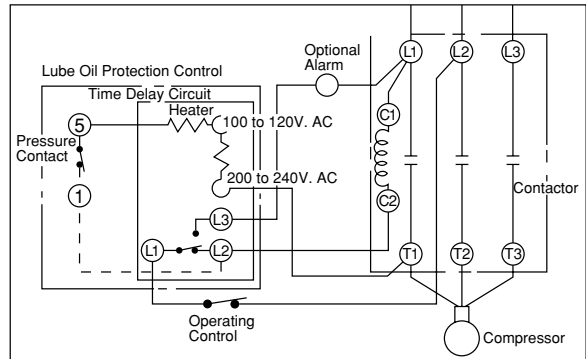


↑ : Operating direction of pressure increase
 ↓ : Operating direction of timer when energized
 M ↓ : Operating direction of manual reset
 (L3: Alarm Contact provided with a lead wire approx.
 ϕ 3.5×100mm with a soldered terminal.)

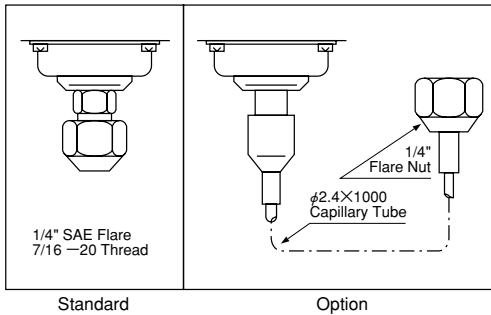
1	Heater Circuit	Common Terminal
100		100V Power Supply Terminal
200		200V Power Supply Terminal
L1	Motor Circuit	Open on Decrease of Pressure Difference
L2		Main Contact
L3		Alarm Contact

110/220V. AC, 120/240V. AC etc. available

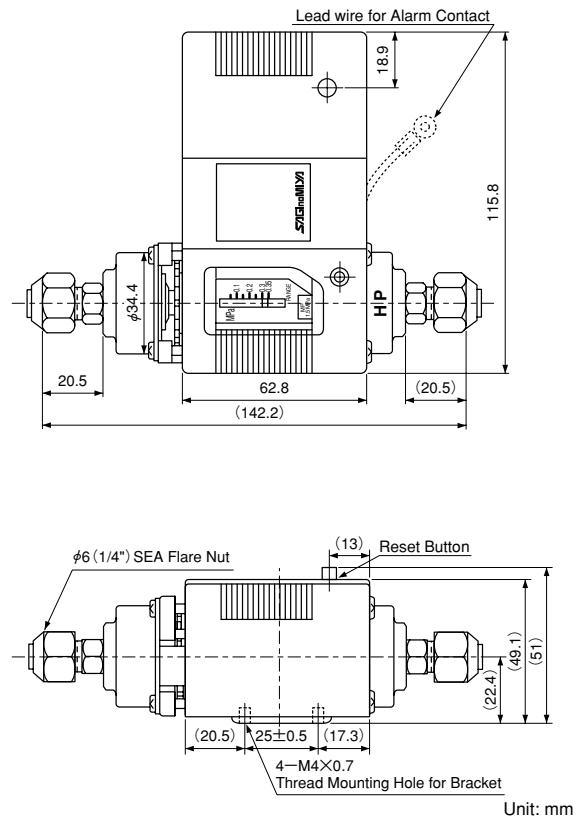
WIRING EXAMPLE



PRESSURE CONNECTORS



DIMENSIONS



Unit: mm



ECOTHERM INC. (TORONTO)
 TEL: (905) 737-2113
 FAX: (905) 737-7319

ECOTHERM INC. (MONTREAL)
 TEL: (514) 685-5113
 FAX: (514) 685-5119

www.ecotherm.ca