

OIL PROTECTION CONTROLS WITH ELECTRONIC TIMER

Type ENS

SAGInoMIYA

GENERAL DESCRIPTION

- Oil protection control ENS provides dependable protection against major breakdown on pressure lubricated refrigeration compressors by guarding against low lubricating oil pressure.
- Electronic timer
 - The ENS can be used in voltage between 100V. AC to 240V. AC in same model.
 - Not necessary to change the terminals at supply voltage change.
 - No affect to time delay period by variations of ambient temperature and supplying voltage.
- Time delay selection
Standard time delay is 45 second. Other time delay period as 60, 90 and 120 second is available upon request.
- Snap Action mechanism is adopted for differential pressure sensing contact and Trip-Free Relay is adopted for final output which provide no chattering and safety operation.

- Terminal for alarm circuit is available as standard.
- Compact designed and compatible to other similar controls.
- IP44 with upper lid (option).

CE mark applicable (available upon request)
UL listed



TYPE NUMBER SELECTION (SPECIFICATIONS)

Unit: psi {kgf/cm²}

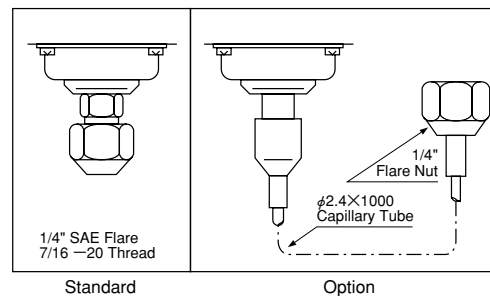
| Catalog No. | Range | | Differential Max. | Factory Setting | | | Connection | Wt. (kg) |
|---------------|---------|----------|-------------------|-----------------|-----------|------------|---|----------|
| | Min. | Max. | | Off | On | Time Delay | | |
| ENS-1C106Y | 7 {0.5} | 61 {4.2} | 10 {0.7} | 7 {0.5} | 17 {1.2} | 45 sec. | 1/4" Flare Nut | 0.68 |
| ENS-1C106YQ4 | | | | | | | 1000 Capillary tube with 1/4" Flare Nut | 0.8 |
| ENS-1C106YQ1 | Fixed | | 7 {0.49} | 9 {0.63} | 16 {1.12} | 120 sec. | 1/4" Flare nut | 0.68 |
| ENS-1C106YQ11 | | | | | | | | |

• Max. Bellows Pressure: 310 psi{22 kgf/cm²} • Max. Work Pressure: 285 psi{20 kgf/cm²}

ELECTRICAL RATINGS

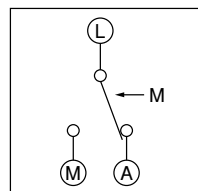
| Rated Voltage (V) | | Power Factor (cos φ) | 125/250V.AC |
|-----------------------|--------------|----------------------|-------------|
| Rated Amps. (A) | | | |
| Non-Inductive Current | | 1 | 3 |
| Inductive Current | Full Load | 0.75 | |
| | Locked Rotor | 0.45 | 18 |

PRESSURE CONNECTORS



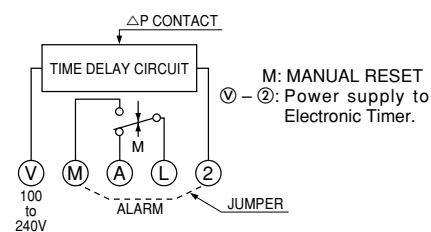
CONTACT FUNCTIONS

Trip-Free Relay



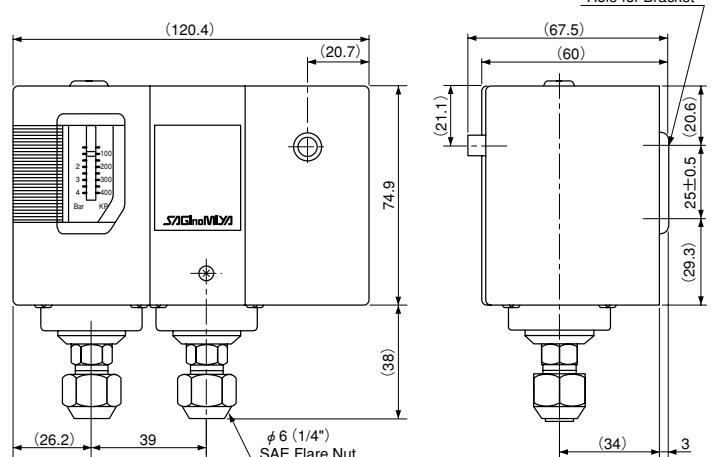
Ⓛ - Ⓜ circuit is closed at normal oil pressure. If the pressure builds up to set value within Time Delay period, Ⓛ - Ⓜ circuit will be opened and Ⓛ - ⓐ will be closed, resulted compressor stopped and alarm circuit closed. Arrow direction shows manual reset.

Internal wiring Diagrams



DIMENSIONS

Standard Model



Unit: mm



ECOTHERM INC. (TORONTO)
TEL: (905) 737-2113
FAX: (905) 737-7319

ECOTHERM INC. (MONTREAL)
TEL: (514) 685-5113
FAX: (514) 685-5119

www.ecotherm.ca