

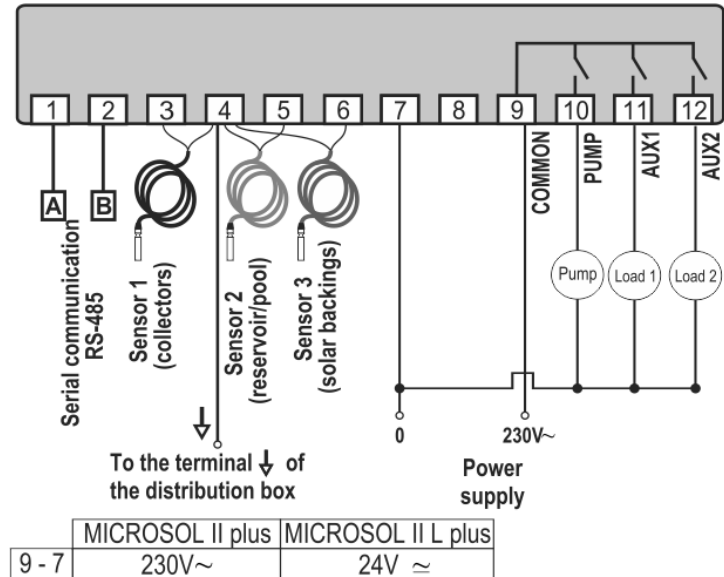


# Microsol II Plus

## Solar Heating Controller with Two Solar Backings



Wiring Diagram for 230V or 24V



Ideal for solar heating pumped system used in thermal reservoirs and swimming pools.

- Temperature range: -50C to 200C (-58 to 392F)
- Unit selection C/F
- Dual Voltage 115/230 or 12/24V (50/60Hz)
- Three relay outputs (5A@250V 1/8HP for pump, Aux1 and Aux2)
- Temperature differential management through three temperature sensors
- Two auxiliary outputs works for back up for the solar heating system like gas or electric boilers
- Prevents water freezing or overheating in pipes
- Weekly schedule with four events for each day
- Real time clock
- RS485 Serial communications for PC monitoring and data logging (Sitrad)



TORONTO, ON  
TEL: (905) 953-2833  
FAX: (905) 953-8106

MONTREAL, QC  
TEL: (514) 685-5113  
FAX: (514) 685-5119

VERNON, BC  
TEL: (250) 549-9162  
FAX: (250) 549-9182

[www.ecotherm.ca](http://www.ecotherm.ca)

1-866-HVACMAX (482-2629)

[sales@ecotherm.ca](mailto:sales@ecotherm.ca)