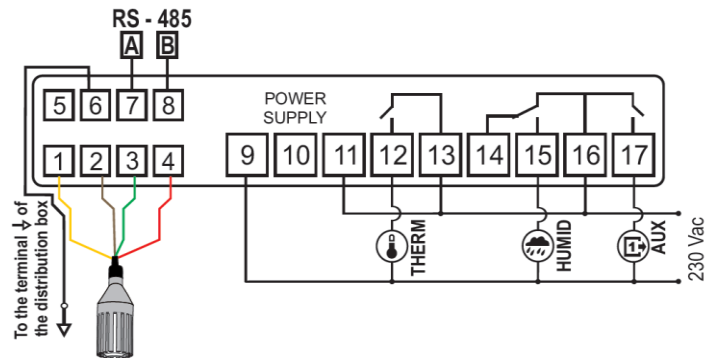




MT-530E Super

Humidity and Temperature Controller



Ideal for: Humidifiers / dehumidifiers, Grains drying, Laboratories, Surgical rooms, Climatized cellars and Information technology centers

- Controls range from 10 to 85% RH and from -10 to 70°C
- Unit selection C/F
- Anti short cycle protection
- Dual Voltage 115/230 or 12/24V (50/60Hz)
- Three relay outputs (16Amp Temperature / 5Amp Humidity / 3Amp Auxiliary)
- Auxiliary output operates as a second stage for temperature control, second stage for humidity control, or as a cyclic timer
- Capable of monitoring output status, against user-configurable time, to warn if the controlled variable is not reaching the configured value
- Humidity and Temperature sensor included (united in single bulb)
- Buzzer (built in)
- RS485 Serial communications for PC monitoring and data logging (Sitrad)
- Tamper-Proof Function by key pad lockdown
- IP65 front panel protection



TORONTO, ON
TEL: (905) 953-2833
FAX: (905) 953-8106

MONTREAL, QC
TEL: (514) 685-5113
FAX: (514) 685-5119

VERNON, BC
TEL: (250) 549-9162
FAX: (250) 549-9182

www.ecotherm.ca

1-866-HVACMAX (482-2629)

sales@ecotherm.ca